

Technical data sheet

Product features



Universal mixer planetary 3 speed 60 l 400 V

Model	SAP Code	00003709
--------------	-----------------	----------



- Device capacity [l]: 60.00
- Control type: Mechanical
- Safety cover: stainless steel with a filling hole
- Start /stop: Yes
- Safety element: total stop complete stop of the device in case of opening the container protects the operator from injury
- Number of speeds of device: 3
- Standard equipment for device: whisk, hook, stirrer and kettle handling trolley
- Additional information: meat grinder, vegetable slicer and 30 l boiler with reduction can be purchased
- Mixing system: With a fixed container
- Way of tool mounting: Planets

SAP Code	00003709	Power electric [kW]	2.250
Net Width [mm]	632	Loading	400 V / 3N - 50 Hz
Net Depth [mm]	720	Device capacity [l]	60.00
Net Height [mm]	1300	Bowl lift	Mechanical
Net Weight [kg]	280.00		

Technical data sheet

Technical drawing

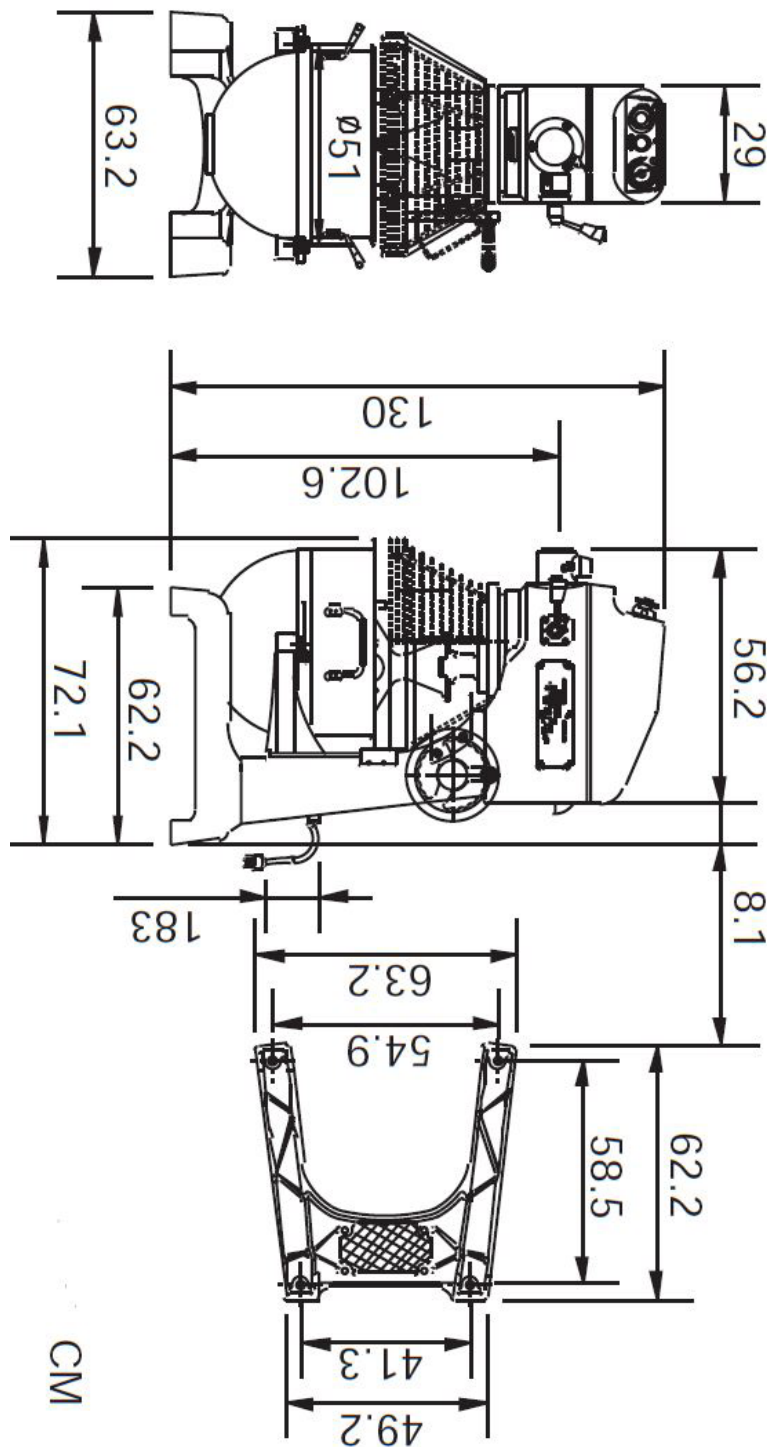


Universal mixer planetary 3 speed 60 l 400 V

Model

SAP Code

00003709



CM

Technical data sheet

Product benefits



Universal mixer planetary 3 speed 60 l 400 V

Model

SAP Code

00003709

1

Planetary storage of attachments with 3 speeds

the attachments rotate around their axis and at the same time go around in a circle without the need to rotate the vessel (boiler)

- better mixing of ingredients; better quality of prepared dough

2

Additional devices

the possibility of grinding or grinding, or wiper arms, or handling carts

- multifunctionality

3

Content 5 80L

wide sortiment

- always the ideal size for every operation

4

Safety microswitch

without closing the microswitch, the machine will not start

- avoiding possible injury to the operator

5

Protective cover with filling opening

without closing the microswitch, the machine will not start

- Ingredients can be added additionally while ensuring the safety of the staff

6

Broom, hook, mixer, handling cart

great basic equipment

- there is no need to buy additional equipment for whipping or kneading

7

No oil bath

the robot has a gearbox that is not stored in an oil basin

- no release of gear oil into the food

8

Reduction boiler

possibility to buy a reducing boiler that fits comfortably in a larger machine, but the volume is smaller than the boiler original

- simplification of working with smaller volumes of raw materials; the customer does not have to buy a second smaller machine afterwards

Technical data sheet

Technical parameters



Universal mixer planetary 3 speed 60 l 400 V

Model

SAP Code

00003709

1. SAP Code:

00003709

2. Net Width [mm]:

632

3. Net Depth [mm]:

720

4. Net Height [mm]:

1300

5. Net Weight [kg]:

280.00

6. Gross Width [mm]:

730

7. Gross depth [mm]:

820

8. Gross Height [mm]:

1350

9. Gross Weight [kg]:

305.00

10. Device type:

Electric unit

11. Power electric [kW]:

2.250

12. Loading:

400 V / 3N - 50 Hz

13. Device capacity [l]:

60.00

14. Number of speeds of device:

3

15. Control type:

Mechanical

16. Safety cover:

stainless steel with a filling hole

17. Safety element:

total stop complete stop of the device in case of opening the container protects the operator from injury

18. Way of tool mounting:

Planets

19. Safety Microswitch:

Yes

20. Main switch:

Yes

21. Start /stop:

Yes

22. Timer:

Yes

23. Standard equipment for device:

whisk, hook, stirrer and kettle handling trolley

24. Additional information:

meat grinder, vegetable slicer and 30 l boiler with reduction can be purchased

25. Unmountable bowl:

Yes

26. Bowl lift:

Mechanical

Technical data sheet

Technical parameters



Universal mixer planetary 3 speed 60 l 400 V

Model

SAP Code

00003709

27. Suitable operations:

Mixing, whipping and kneading

29. Image for addition:

F01C0682-39E4-4D39-9D1E-C65BE366282B

28. Mixing system:

With a fixed container